



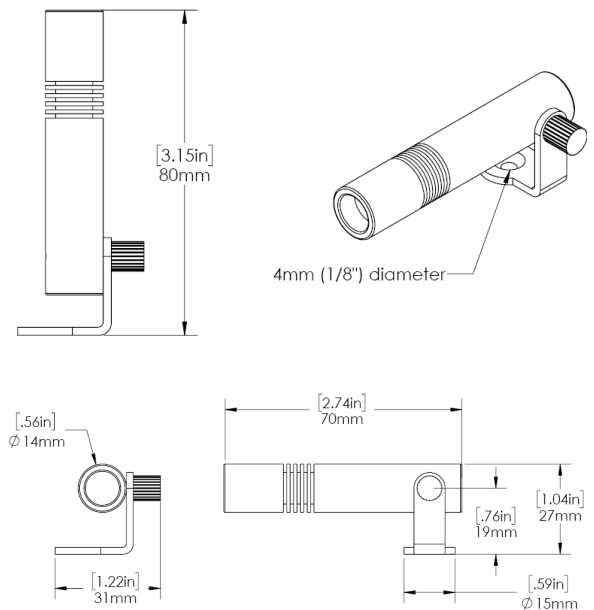
Date
Project
Fixture
Comments

Part Number	Description
PR31	Precision Alpha - Cool White (6500K)
PR32	Precision Alpha - Warm White (3000K)

Description

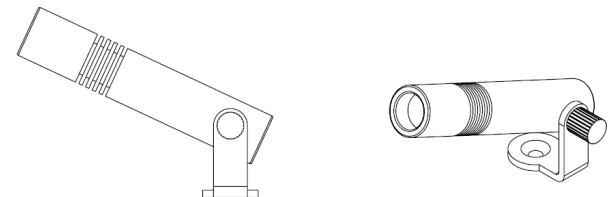
The Precision Alpha is an ultra-compact LED pinspot designed for space-constrained applications. Internal driver circuitry ensures constant output even when input voltages fluctuate and extends the fixture life beyond 50,000 hours. This low-voltage LED based design runs far cooler and more efficiently than traditional PAR16 "Birdies".

This point source luminaire gives the user an endless selection of colors and beam angles using theatrical filters. Softer and more natural colors are achievable from filters compared to light emitted from a pure-colored LED. Sample gel filters with a 50 hour lifespan before color fade are included with the fixture. For permanent filters which do not fade, dichroic glass filters can be purchased through a filter manufacturer like Rosco or Apollo.



Features

- ▶ 1 Watt LED with 95% energy savings compared to 20W halogen lamp
- ▶ Perfect for space-constrained applications
- ▶ Reconfigurable with gel filters (samples included)
- ▶ Internal constant-current driver gives efficient and consistent output
- ▶ Dimmable using PWM power input from external constant voltage dimmer (10%-100%)
- ▶ IP65 rated for indoor use with occasional liquid exposure
- ▶ Class 2, low-voltage 12-24VDC input (DO NOT HOT PLUG)
- ▶ Dual polarity input
- ▶ Minimal maintenance required with over 50,000 hour lamp life.
- ▶ Standard 2.1mm DC barrel jack for power
- ▶ Screw Terminal Adapter included for connecting to bare wires



Technical Specifications

Source

LED model	Cree Xlamp XP-G
-----------	-----------------

LED Color

Warm White	3000K
Cool White	6500K

Electrical

Voltage range	12-24VDC DO NOT HOT PLUG
Wattage	1.5W max
Dimming Compatability	PWM
Connector	2.1mm DC barrel jack

Physical

Materials	Machined aluminum
finish options	black
IP rating	IP65 - for indoor use with occasional liquid exposure
Weight	45 grams (1.6 oz)

Optical

	Beam / Field Angle	1m Illuminance	2m Illuminance	3m Illuminance
Cool White Spot	13° / 28°	843 lx (78.3 fc)	219 lx (20.4 fc)	97 lx (9.0 fc)
Warm White Spot	13° / 28°	621 lx (48 fc)	160 lx (12.3 fc)	70 lx (6.5 fc)

Distance to Projection Surface	1m (3.3 ft)	2m (6.6 ft)	3m (9.8 ft)
Beam Diameter	0.2m (.7 ft)	0.5m (1.6 ft)	0.7m (2.3 ft)

Thermal

Ambient operating temperature	0-50° C
Cooling method	passive
BTUs / hour	6 max

Warranty

Fixture	1 year from date of purchase
---------	------------------------------

Certifications

USA / Canada	UL
Europe	CE, RoHS