



Spotlight



Floodlight

Date
Project
Fixture
Comments

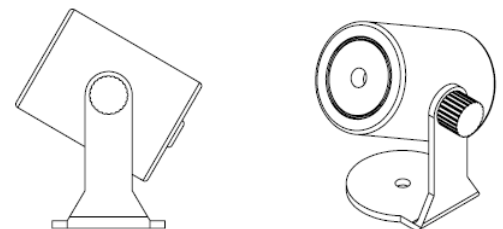
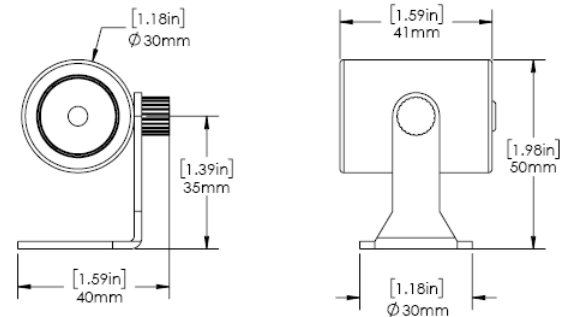
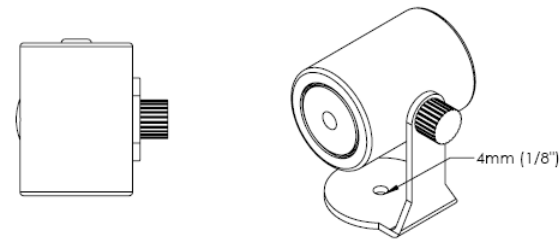
Part Number	Description
PR11	Precision Z Spotlight - Red
PR12	Precision Z Spotlight - Green
PR13	Precision Z Spotlight - Blue
PR14	Precision Z Spotlight - Amber
PR15	Precision Z Spotlight - Cool White (6500K)
PR16	Precision Z Spotlight - Warm White (3000K)
PR17	Precision Z Spotlight - Ultraviolet (395nm)
PR21	Precision Z Floodlight - Red
PR22	Precision Z Floodlight - Green
PR23	Precision Z Floodlight - Blue
PR24	Precision Z Floodlight - Amber
PR25	Precision Z Floodlight - Cool White (6500K)
PR26	Precision Z Floodlight - Warm White (3000K)

Description

The Precision Z Spotlight produces a concentrated point-source light equivalent to traditional 20W halogen fixtures in a highly-energy and space-efficient package. The luminaire's modular design allows it to be swapped with other fixtures without the hassle of cutting wires, allowing for fast design changes and reconfiguration. The industrially designed, machined aluminum chassis gives the Precision Z an elegant form yet functions as a rugged shell and heat sink to protect the LED and core electronics even in outdoor environments. Internal driver circuitry ensures constant output over a wide range of input voltage and extends the LED life beyond 50,000 hours.

Features

- ▶ 1 Watt LED
- ▶ Perfect for space-constrained applications
- ▶ Available in a range of rich colors, 95% energy savings compared to 20W halogen lamp
- ▶ Low voltage and minimal heat for improved safety over incandescent sources
- ▶ Internal constant-current driver gives efficient and consistent output
- ▶ Dimmable using PWM power input from external constant voltage dimmer (10%-100%)
- ▶ Class 2, low-voltage 12-24VDC input (DO NOT HOT PLUG)
- ▶ Minimal maintenance required with over 50,000 hour lamp life.
- ▶ Storm Series version for permanent outdoor installations also available
- ▶ Standard 2.1mm DC barrel jack for power
- ▶ Screw Terminal Adapter included for connecting to bare wires



Technical Specifications

Source

LED model	Edison S Series
-----------	-----------------

LED Color

Warm White	3000K
Cool White	6500K

Electrical

Voltage range	12-24VDC DO NOT HOT PLUG
Wattage	1.5W max
Dimming Compatability	PWM
Connector	2.1 mm DC barrel jack

Physical

Materials	Machined aluminum
finish options	black, silver available by custom order
IP rating	IP65
Weight	82 grams (2.9 oz)

Optical

	Beam / Field Angle	1m Illuminance	2m Illuminance	3m Illuminance
Cool White Spot	11° / 32°	883 lx (82.0 fc)	221 lx (20.5 fc)	100 lx (9.3 fc)
Warm White Spot	11° / 32°	517 lx (48.0 fc)	132 lx (12.3 fc)	65 lx (6.0 fc)
Cool White Flood	32° / 84°	66 lx (6.1 fc)	15 lx (1.4 fc)	5 lx (0.5 fc)
Warm White Flood	32° / 84°	35 lx (3.3 fc)	8 lx (0.7 fc)	2 lx (0.2 fc)

Distance to Projection Surface	1m (3.3 ft)	2m (6.6 ft)	3m (9.8 ft)
Beam Diameter (Spot)	0.2m (.7 ft)	0.4m (1.3 ft)	0.6m (2.0 ft)
Beam Diameter (Flood)	1.2m (3.9 ft)	2.4m (7.9 ft)	3.6m (11.8 ft)

Available Accessories

Part#	Accessory Description
FA21	Angled Beam Control Cowling for 30 mm Fixture - Black Anodized Finish
FA24	Beam Control Snoot 30 mm Fixture - Black Anodized Finish
FA31	Gel and Diffuser Retainer for 30 mm Fixture - Black Anodized Finish

Thermal

Ambient operating temperature	0-50° C
Cooling method	passive
BTUs / hour	6 max

Warranty Fixture

1 year from date of purchase

Certifications

USA / Canada	UL
Europe	CE, RoHS