



Date
Project
Fixture
Comments

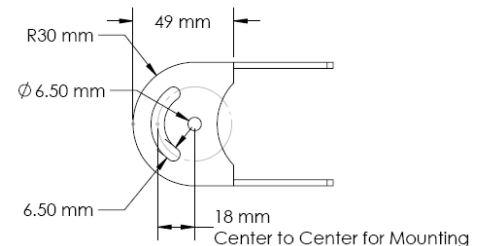
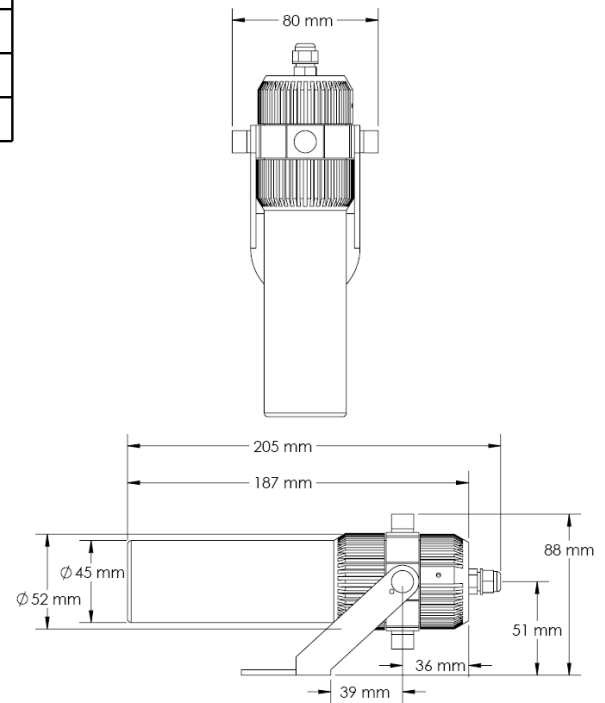
Part Number	Description
ST128	Storm Form - Warm White - Black Anodized Finish
ST130	Storm Form - Warm White - Silver Anodized Finish
ST131	Storm Form - Cool White - Black Anodized finish
ST133	Storm Form - Cool White - Silver Anodized finish

Description

The Storm Form is a rugged and compact outdoor light fixture with adjustable zoom and focus. It is available with either Warm White or Cool White output. The Storm Form is small and discreet but engineered to deliver lasting performance in permanent outdoor installations. The Storm Form is available in black or silver finish.

Features

- ▶ Adjustable zoom and focus
- ▶ 16-27° beam angle
- ▶ Accepts 19mm steel or glass gobo (up to 2mm thick)
- ▶ Warm White (90+ CRI) or Cool White LED
- ▶ 9 Watt LED
- ▶ Class 2, low-voltage 12-24VDC input (DO NOT HOT PLUG)
- ▶ Enhanced sealing around lens and cable gland to improve water resistance
- ▶ Rated IP65 for permanent outdoor installation
- ▶ Locking mount
- ▶ Waterproof connector for use with Gantom Pro Cable System
- ▶ Available in black or silver finish



Male Pro Cable Branch Connector

Technical Specifications

Source

LED model	Cree Xlamp XP-L
-----------	-----------------

LED Color

Warm White	3000K (90+ CRI)
Cool White	6500K

Electrical

Voltage range	12-24VDC DO NOT HOT PLUG
Wattage	9.6W max
Dimming Compatability	PWM
Connector	Gantom Pro Cable Connector

Physical

Materials	Machined aluminum
finish options	black, silver
IP rating	IP65 - for outdoor install
Weight	522 grams (18.4 oz)

Optical

LED	Beam / Field Angle	1m Illuminance	2m Illuminance	3m Illuminance	4m Illuminance
Warm White	16°	2034 lx (188 fc)	553 lx (51 fc)	254 lx (24 fc)	150 lx (14 fc)
Warm White	27°	1031 lx (96 fc)	258 lx (24 fc)	115 lx (11 fc)	64 lx (6 fc)
Cool White	16°	2430 lx (226 fc)	690 lx (64 fc)	300 lx (28 fc)	196 lx (18 fc)
Cool White	27°	1200 lx (111 fc)	305 lx (28 fc)	142 lx (13 fc)	84 lx (8 fc)

Distance to Projection Surface	1m (3.3 ft)	2m (6.6 ft)	3m (9.8 ft)
Beam Diameter (16°)	0.28m (.9 ft)	0.56m (1.8 ft)	0.84m (2.7 ft)
Beam Diameter (27°)	0.48m (2.5 ft)	.96m (5 ft)	1.44m (7.6 ft)

Thermal

Ambient operating temperature	0-50° C
Cooling method	passive
BTUs / hour	33 max

Warranty

Fixture	2 years
---------	---------

Certifications

USA / Canada	UL
Europe	CE, RoHS

Available Accessories

Part#	Accessory Description
ST148	Angled Beam Control Cowling for Storm Form - Black Anodized Finish
ST150	Angled Beam Control Cowling for Storm Form - Silver Anodized Finish