



Date
Project
Fixture
Comments

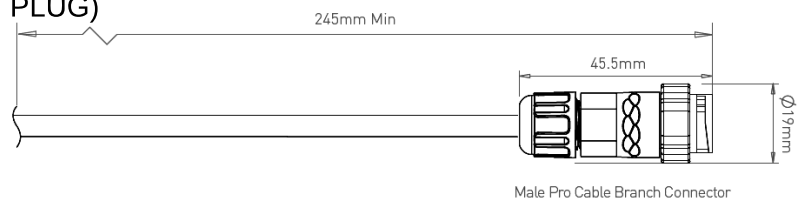
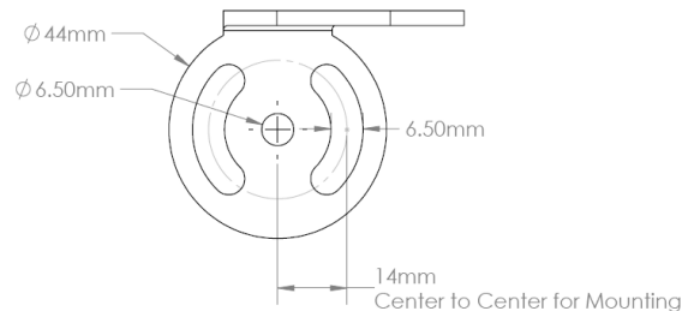
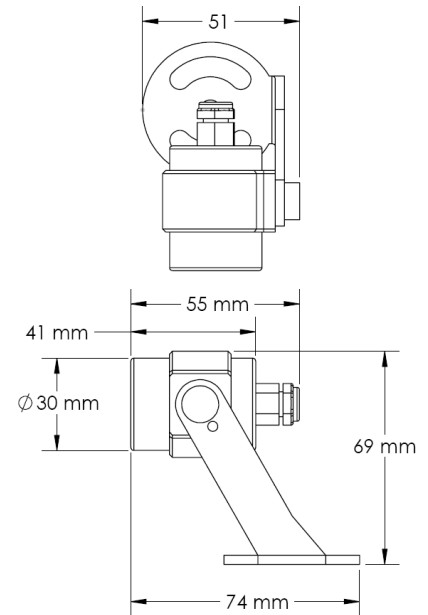
Part Number	Description
ST169	Storm Z DMX Spot - Warm White - Black Anodized finish
ST171	Storm Z DMX Spot - Warm White - Silver Anodized finish
ST172	Storm Z DMX Spot - Cool White - Black Anodized finish
ST174	Storm Z DMX Spot - Cool White - Silver Anodized finish
ST175	Storm Z DMX Flood - Warm White - Black Anodized finish
ST177	Storm Z DMX Flood - Warm White - Silver Anodized finish
ST178	Storm Z DMX Flood - Cool White - Black Anodized finish
ST180	Storm Z DMX Flood - Cool White - Silver Anodized finish

Description

The Storm Z DMX Spotlights and Floodlights are rugged and compact DMX controlled outdoor light fixtures. They are available with Warm White or Cool White output. The fixtures can also be manufactured with a custom color LED by special quotation. They are small and discreet but engineered to be powerful and versatile. The fixtures are similar in size and output to our Precision Z DMX spotlights and floodlights, but redesigned for permanent outdoor installation. The Storm Z DMX is available in black or silver finish.

Features

- ▶ DMX Controllable
- ▶ DMX Address and color settings stored in internal memory
- ▶ Locking mount
- ▶ Waterproof connector for use with Gantom Pro Cable System
- ▶ 1.5 Watt LED
- ▶ Waterproof connector for use with Gantom Pro Cable System
- ▶ Warm White (90+ CRI) or Cool White LED
- ▶ Enhanced sealing around lens and cable gland to improve water resistance
- ▶ Available in black or silver finish
- ▶ Class 2, low-voltage 12-24VDC input (DO NOT HOT PLUG)



Technical Specifications

Source

LED model	Cree Xlamp XP-G
-----------	-----------------

LED Color

Warm White	3000K (90+ CRI)
Cool White	6500K

Electrical

Voltage range	12-24VDC DO NOT HOT PLUG
Wattage	1.5W max
Dimming Compatability	DMX
Connector	Gantom Pro Cable Connector

Physical

Materials	Machined aluminum
finish options	black, silver
IP rating	IP65 - for outdoor install
Weight	127 grams (4.5 oz)

Optical

	Beam / Field Angle	1m Illuminance	2m Illuminance	3m Illuminance
Warm White Spot	12° / 21°	750 lx (70 fc)	190 lx (18 fc)	85 lx (8 fc)
Cool White Spot	12° / 21°	1020 lx (95 fc)	265 lx (25 fc)	117 lx (11 fc)
Warm White Flood	42° / 70°	160 lx (15 fc)	45 lx (4 fc)	19 lx (2 fc)
Cool White Flood	42° / 70°	190 lx (18 fc)	51 lx (5 fc)	23 lx (2 fc)

Distance to Projection Surface	1m (3.3 ft)	2m (6.6 ft)	3m (9.8 ft)
Beam Diameter (Spot)	0.21m (.7 ft)	0.42m (1.4 ft)	0.63m (2.1 ft)
Beam Diameter (Flood)	0.77m (2.5 ft)	1.5m (5 ft)	2.3m (7.6 ft)

Available Accessories

Part#	Accessory Description
FA21	Angled Beam Control Cowling for 30 mm Fixture - Black Anodized Finish
FA24	Beam Control Snoot 30 mm Fixture - Black Anodized Finish
FA31	Gel and Diffuser Retainer for 30 mm Fixture - Black Anodized Finish
FA40	Ground Stake - 160mm Length

Thermal

Ambient operating temperature	0-50° C
Cooling method	passive
BTUs / hour	6 max

DMX

Channel Footprint	single channel
Channel Mapping	Ch1. Intensity (0-255)
Addressing	Gantom Programmer App or DarkBox Programmer
Lowest Dimming Level	0.05%

Warranty

Fixture	2 years
---------	---------

Certifications

USA / Canada	UL
Europe	CE, RoHS