



Date
Project
Fixture
Comments

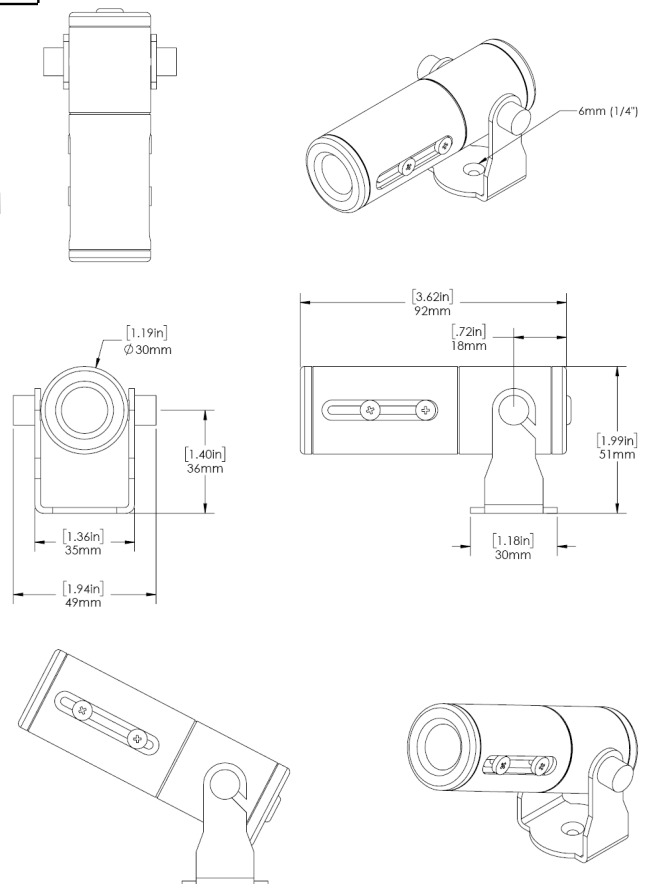
Part Number	Description
GT31	Gantom iQ - Cool White
GT32	Gantom iQ - Warm White

Description

The Gantom iQ is the world's smallest gobo projector with zoom and focus for professional lighting applications. Using LED technology and special optics, the Gantom iQ can render bright and sharp images from a variety of gobo materials including metal, glass, and even film. This fixture opens up a vast new dimension of creative lighting possibilities by allowing images, patterns, and signage to be projected in ways that were impossible with traditional gobo projectors.

Features

- ▶ Smallest gobo projector in the world
- ▶ Accepts steel or full-color glass gobos
- ▶ 2.8 Watt LED
- ▶ Adjustable zoom and focus
- ▶ Warm White or Cool White LED
- ▶ Dimmable using PWM power input from external constant voltage dimmer (10%-100%)
- ▶ Standard 2.1mm DC barrel jack for power
- ▶ Screw Terminal Adapter included for connecting to bare wires
- ▶ Class 2, low-voltage 12-24VDC input (DO NOT HOT PLUG)
- ▶ Minimal maintenance required with over 50,000 hour lamp life.



Technical Specifications

Source

LED model	Cree Xlamp XP-G
-----------	-----------------

LED Color

Warm White	3000K
Cool White	6500K

Electrical

Voltage range	12-24VDC DO NOT HOT PLUG
Wattage	2.8W max
Dimming Compatability	PWM
Connector	2.1mm DC barrel jack

Physical

Materials	Machined aluminum
finish	black
IP rating	IP65 when using FA30 way cover accessory - not for outdoor install
Weight	141 grams (5.0 oz)

Optical

	Beam Angle	1m Illuminance	2m Illuminance	3m Illuminance
Warm White - Narrowest Beam	25°	340 lx (31.6 fc)	82 lx (7.6 fc)	38 lx (3.5 fc)
Warm White - Widest Beam	40°	232 lx (21.6 fc)	63 lx (5.9 fc)	27 lx (2.5 fc)
Cool White - Narrowest Beam	25°	510 lx (47.4 fc)	123 lx (11.4 fc)	53 lx (4.9 fc)
Cool White - Widest Beam	40°	368 lx (34.2 fc)	91 lx (8.5 fc)	38 lx (3.5 fc)

Distance to Projection Surface	1m (3.3 ft)	2m (6.6 ft)	3m (9.8 ft)
Narrowest Beam Diameter	0.4m (1.3 ft)	0.9m (3.0 ft)	1.3m (4.3 ft)
Widest Beam Diameter	0.6m (2.0 ft)	1.3m (4.3 ft)	2.2m (7.2 ft)

Available Accessories

Part#	Accessory Description
FA21	Angled Beam Control Cowling for 30 mm Fixture - Black Anodized Finish
FA24	Beam Control Snoot 30 mm Fixture - Black Anodized Finish
FA31	Gel and Diffuser Retainer for 30 mm Fixture - Black Anodized Finish
FA30	Way Cover for the Gantom iQ and Gantom iQx

Thermal

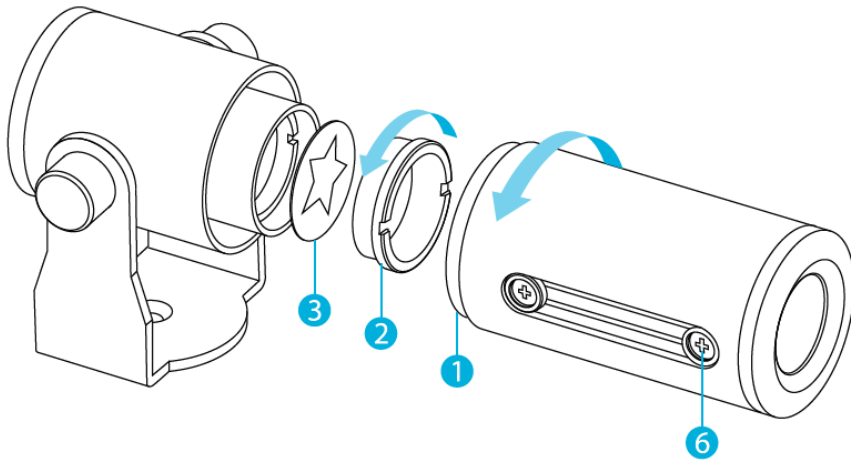
Ambient operating temperature	0-50° C
Cooling method	passive
BTUs / hour	9.5 max

Warranty

Fixture	2 years
---------	---------

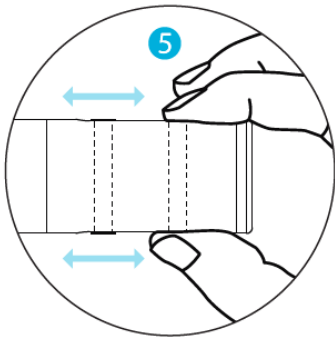
Certifications

USA / Canada	UL
Europe	CE, RoHS

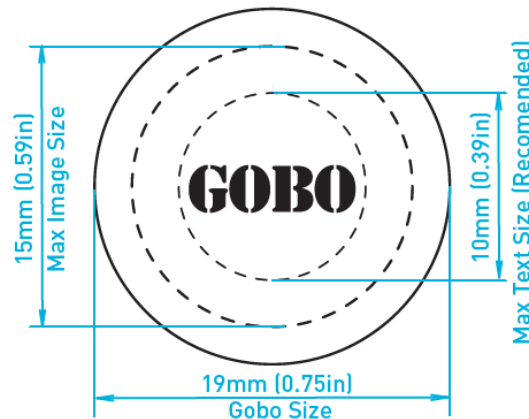


GOBO INSTALLATION

- 1 Unscrew lens assembly
- 2 Unscrew gobo cap
- 3 Insert gobo pattern or filter into gobo holder
- 4 Reassemble



- 5 Zoom/focus with index finger and thumb pinching both sides of lens assembly (place each finger on opposing lens screw) and slide lens back and forth along adjustment rails. Note: lens will not adjust if only pushing on a single lens screw; both sides of lens must be pushed back and forth together for adjustment.
- 6 If locking of zoom and focus desired, use screwdriver to tighten lens screw.
- 7 If outdoor application, tape up zoom/focus adjustment rails to prevent water/dust from entering lens assembly, otherwise optics will distort.



FAQ

Q What kind of gobos can you use with the Gantom iQ?

A Any pattern that is cut into a 19mm (0.75in) diameter disk. Traditional gobos such as stainless steel or glass will work for permanent installations. For temporary events, inexpensive, full-color gobos can be made from 35mm film slides or self-printed onto transparency paper.

For full-color, film gobos, visit: www.colorsli.de.com. It is important that you know www.colorsli.de.com will print your gobo designs but cannot cut them into the correct circular shape. For this we recommend purchasing a 19mm (0.75in) craft punch online or at a craft store. Please note that film slides will fade over time as the film is a photosensitive material. Although this process renders sharp, full-color images at a low price, these slides are designed for temporary use. Please consider stainless steel or glass for permanent applications.

For stainless steel or glass gobos visit: www.rosco.com.

Q Can I print my own patterns?

A Yes! As long as you are able to create well-defined patterns on a 19mm (0.75in) diameter disk that is less than 2mm (0.08in) thick, it will load easily into the Gantom iQ and can render sharp patterns. You can also use a high-resolution inkjet printer to create full-color patterns on transparency paper. However, due to the resolution of typical printers and the amount of magnification with our optics, the projected pattern will not be as sharp as professionally made patterns.

Q How long will the Gantom iQ last?

A Because this is an LED product, the Gantom iQ is rated for over 50,000 hours of lifetime. Stainless steel or glass gobos should last indefinitely, while 35mm slides will fade over time.

Q Can I run this from a battery for portable applications?

A Yes, this product only uses about 3W of power and can be powered from a 9V or 12V battery for several hours depending on battery capacity.